



MICHELIN LE MANS CUP COMMITTEE



TO: Teams Manufacturers
CATEGORY: LMP3 LMP3 Pro/Am GT3

DECISION N°: MLMC_2025_D04_LMP3_LMP3_ProAm_Technical_Information

DATE: 24/03/2025

FROM: The Michelin Le Mans Cup Committee

SUBJECT: Reference surface tolerance/ Electronic equipment

APPLICABLE REGULATION

- 2025 Michelin Le Mans Cup Sporting Regulations
- 2025 Technical Regulations for LMP3 Prototypes

DECISION

REFERENCE SURFACE TOLERANCE

Longitudinally and laterally: a maximum of 3mm gap between a straight bar lying longitudinally and laterally on the reference surface and the reference surface.

ELECTRONIC EQUIPMENT

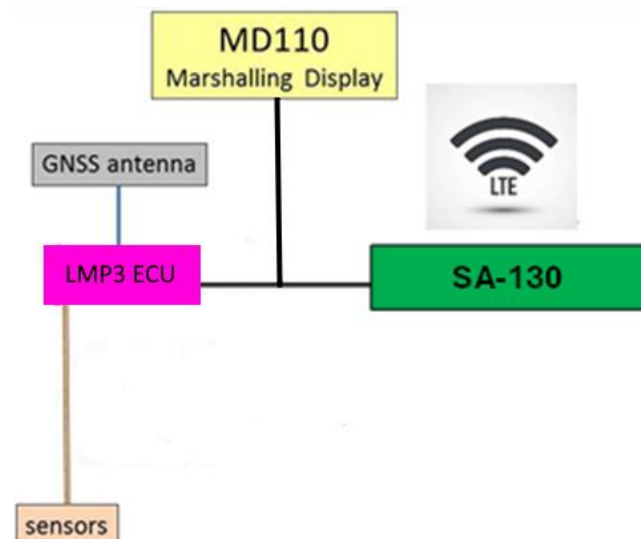
The use of Marelli Telemetry System is mandatory for 2025 MLC season.

The Telemetry System designed by Marelli is a “modular” system in which, on board the vehicle, the logging functionalities have been separated from the wireless functions.

The system is designed to log the data input from the mandatory sensors. The data is then stored on the systems' USB-flashdrive and must be uploaded each time a car enters the pitlane.

The teams must replace the USB-stick and deliver the data to scrutineering after practice sessions, qualification, race and after every pitstop during the race.

The integrated smart antenna connects the vehicle to race control, sending the GPS-position of the car to locate it on track and receiving flag signals to show on the marshalling display onboard the vehicle.



Any decision taken by the Michelin Le Mans Cup Committee is not subject to appeal.

<http://lemanscup.alkamelsystems.com/committe.php>



MICHELIN LE MANS CUP COMMITTEE



This mandatory use results in the addition of the following elements in the articles below of the 2025 LMP3 technical regulation:

Art.1.12: Additional electronic equipment

- Marelli system (smart antenna + marshalling display)

Art.14.2.3: Driver's field of visibility

- Marshalling display

PERIOD OF VALIDITY/APPLICATION OF THE DECISION

This decision comes into effect:

- with immediate application**
- from:

And is applicable:

- until further notice**
- for the mentioned Competition(s) only